

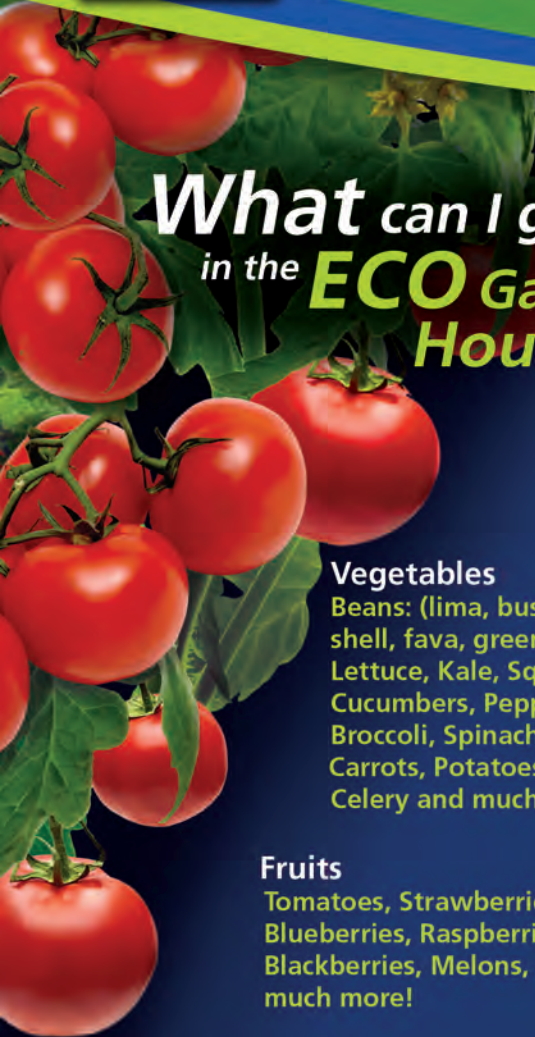


"Use it in your garage, basement or a spare bedroom!"

# INDOOR GREENHOUSE



## What can I grow in the **ECO** Garden House?



### Vegetables

Beans: (lima, bush, pole, shell, fava, green), Peas  
Lettuce, Kale, Squash,  
Cucumbers, Peppers  
Broccoli, Spinach,  
Carrots, Potatoes,  
Celery and much more!

### Fruits

Tomatoes, Strawberries,  
Blueberries, Raspberries,  
Blackberries, Melons, and  
much more!

### Herbs

Basil, Oregano, Parsley, Thyme, Mint,  
Cilantro, Sage, Rosemary, Dill, Chives,  
and many others!

### Flowers

Snapdragons, Daffodils, Roses, Lilies,  
Geraniums, Hibiscus, Orchids, and more!

### Plants & Small Trees

Lemon, Lime, Avocado, Satsuma,  
Dwarf Citrus, Figs, Apricots, and others!



*We've redefined the concept of Farm-to-Table eating by moving the farm to your table!*

### Grow a Healthy Family

The Eco Garden House is the perfect way to bring families together to participate, learn and grow healthy food together.

### Quality

Be in control of your food supply, so you know exactly what's going into your food with the Eco Garden House.

### Health and Well Being

You and your family will eat more fruits and vegetables when you trust your food source.

### Year-round Convenience

Snipping sprigs of fresh herbs and harvesting fruits and vegetables right off the plants grown indoors in your Eco Garden House is convenient, saves time out of your busy schedule and increases the freshness of the healthy food you eat.

### Freshness

What's fresher than harvesting from your own garden? Harvesting your own indoor garden year-round in the Eco Garden House, allowing you immediate access to vitamin rich produce!

### More Variety

The many varieties you can grow in the Eco Garden House can be selected for taste and health benefits and not for the ease of mechanical harvesting, climate or time of year.

### Simple and Easy

The Eco Garden House's friendly design and advanced technology makes it easy to assemble and use, allowing you to begin growing nutritious vegetables, fruits, herbs, flowers and plants on the very day it's purchased!



Perfect for growing:

- fruits
- vegetables
- herbs
- flowers
- plants
- and more

## Grow year round

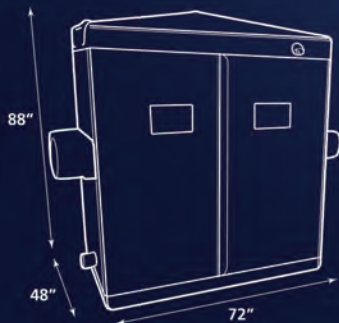


# Self-Contained Indoor Gardening System

- Automatic Watering System Control
- Integrated Water Pumps and Tanks
- Thermal Temperature Control
- Automatic Lighting Control

## Includes these features:

- Automatic Timers for Lighting & Watering
- 8 High Output Full Spectrum T5 Overhead Lights
- 4 High Output Full Spectrum T5 Vertical Side Lights
- Pulley System for Raising and Lowering Overhead Lights
- Exterior Handle Adjusts Height of Overhead Lighting
- Thermostatically Controlled Fans for Temperature Control
- Submersible Freshwater Pump for Automatic Watering
- Submersible Sump Pump for Gray Water Drainage
- 8-Output Adjustable Manifold to Control Water Flow
- Drip Irrigation Watering Kit with Vinyl Lines and Emitters
- 3-Layer Exterior Shroud with Reflective Mylar Interior
- Sock Ducts for Ventilation
- Windows with Viewing Access Panels
- Exterior Electrical Access Panels
- Front & Rear Zipper Entry Doors with Tie Backs
- 33 Gallon Freshwater Tank
- 33 Gallon Gray Water Tank
- Fresh and Gray Tank Water Level Gauges
- Exterior "Easy Fill" water intake spout.
- Surface Area Drains



88" Height x 72" Width x 48" Depth - 110 Volts  
Easy Assembly



Learn more

